

TT-510 RS-485 Temperature transmitter

General specifications

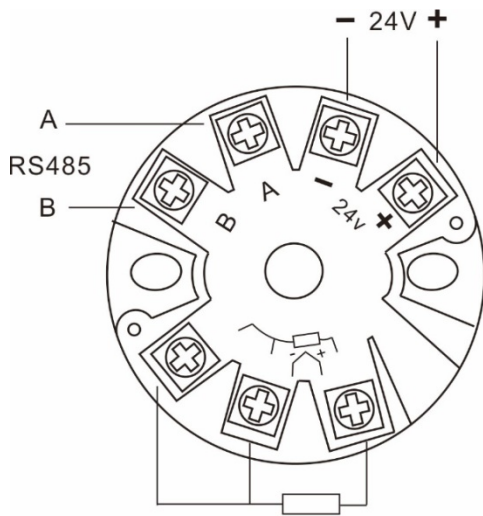
The TT-510 temperature transmitter is suitable for signal transmission of up to ten types of thermocouples and thermal resistances at the same time. TT-510 adopts perfect electrical isolation, which can reduce the damage and interference of the high current signal on the RS485 bus to the equipment. The product uses a 24-bit Σ - Δ analog front end to ensure high measurement accuracy; perfect anti-surge, anti-lightning and anti-reverse connection design avoids mis-installation and mis-operation in engineering applications; enhanced software security design, including low-voltage monitoring reset, multi-task scheduling optimization and other functions. TT-510 adopts imported components to ensure long service life and stability.



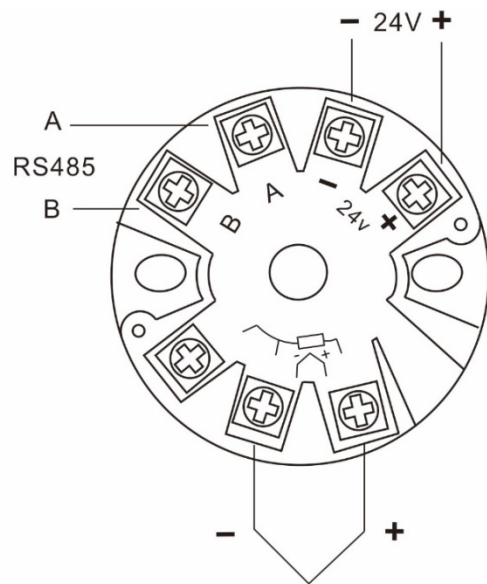
Technical specifications

Power supply	12 - 35VDC	Output	RS485, Modbus, 4-20mA
Accuracy	RTD 0.1%; TC 0.2%	Maximum consumption	20.0mA
Active current	0.2mA	Input	TC/RTD
Load	$\leq 500\Omega$	Storage temp	-40 - 120°C
Temperature drift	$\leq 50\text{ppm}/^\circ\text{C}$ F.S	Housing material	PA66
Working temperature	-30 - 80°C	Mounting screw	M4*2

Wiring diagram



3 wires RTD sensors

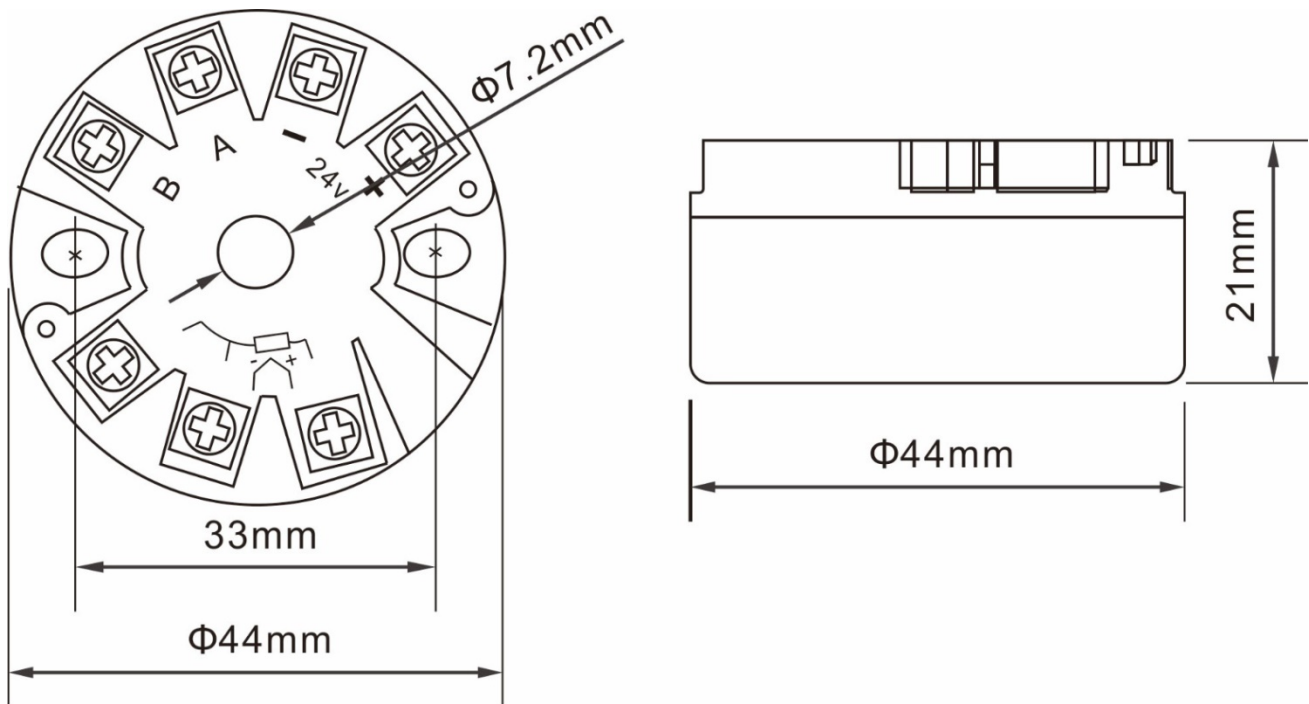


Thermocouple

A and B connect the corresponding RS-485 communication lines

In the bottom view of the circuit board, two diagonal positioning studs are used to fix the circuit board to the aluminum casing of the transmitter, and the thermal resistance and thermocouple are connected according to the above figure or the schematic diagram on the circuit board respectively. 24V power supply, connect to the 24V+ and 24V- terminals.

Dimensions



Instructions for use and warranty

- a) The storage and use of the instrument is suitable for the occasions where the ambient temperature is -30°C - 80°C and the humidity is less than 80%;
 - b) When the instrument is connected to the power supply, it should be operated according to the wiring method in Section 3. After confirming that the operation is correct, the power supply can be turned on for operation.
 - c) As long as the user abides by the usage specifications, we provide users with a one-year warranty and lifetime technical support services from the date of delivery.
- Welcome customers to inquire, we value any of your valuable suggestions.