



## General Features:

- Dual LCD six digits display, size 48mm\*48mm and 72mm\*72mm
- Counting range -199999~999999, setting range 1-999999
- Dry contact input, NPN transistor input, Quadrature 90° input
- Input frequency from 1 to maximum 5000 Hz and configurable
- Normal counting/batch counting/totalizing counting
- Various reset mode and relay reset delay function
- 12VDC 100mA auxiliary power source for sensor
- Up or down counting mode selectable
- 85~265Vac source or 24VAC/DC source
- Power failure retention on/off configurable
- Decimal point display, no decimals to maximum 3 decimals
- Relay reset delay range 0.01 seconds~99.99 seconds
- Multiplier available for easy meter counting application
- Quadrature input for encoders
- Optional features
  - RS485 Modbus RTU Communication
  - OP2/OP3/OP4 output optional
  - 24VDC/AC source optional, standard source is 85~265Vac
  - 2 alarm options, 1 alarm is standard as OP1

## Ordering Information

**JS100** (48mm\*48mm)(width\*height)  
**JS700** (72mm\*72mm)(width\*height) **1-2-3-4-5**

### 1:Function assigned to AU1 terminals at the back

<b>N</b>	No functions for AU1 terminals
<b>A</b>	AU1 terminals will be used as RST and GATE(count holding) purpose
<b>2</b>	AU1 terminals will be used as SP2 output(OP2)
<b>3</b>	AU1 terminals will be used as BA1 batch count output(OP3)
<b>4</b>	AU1 terminals will be used as SU1 totalizing count output(OP4)

### 2:Function assigned to AU2 terminals at the back

<b>N</b>	No functions for AU2 terminals
<b>2</b>	AU2 terminals will be used as SP2 output(OP2)
<b>3</b>	AU2 terminals will be used as BA1 batch count output(OP3)
<b>4</b>	AU2 terminals will be used as SU1 totalizing count output(OP4)

AU2 is only available with JS700

### 3:Function assigned to AU3 terminals at the back

<b>N</b>	No functions for AU3 terminals
<b>2</b>	AU3 terminals will be used as SP2 output(OP2)
<b>3</b>	AU3 terminals will be used as BA1 batch count output(OP3)
<b>4</b>	AU3 terminals will be used as SU1 totalizing count output(OP4)

AU3 is NOT available with both JS100 and JS700

### 4:Power supply

<b>B</b>	85~265Vac 50/60HZ (standard option)
<b>D</b>	24VDC/AC

### 5:RS-485 communication option

<b>N</b>	Without communication function
<b>M</b>	RS-485 modbus communication

eg: JS100-A-N-N-B-N, JS100 counter, AU1 terminals used as RESET and GATE function, power supply, 85~265Vac, without communication function. Please check wiring diagram and detailed information on the AU1 terminals to help you with the ordering on our counter, For JS100, the terminal 7 and 8 also referred as AU1 terminals can be equipped as RST or GATE function, or a relay can be installed at terminal 7 and 8 as OP2 output for SP2 setting, or 7 and 8 as OP3 for batch count output, or 7 and 8 equipped as OP4 for totalizing count, you can't have them all because there is only 2 terminals, have to make a choice when order with us, the standard option is RST and GATE function, JS700 can be made with both AU1 and AU2 terminals. AU2 can be assigned as OP2, OP3 OP4 output.

- A** AU1 terminals will be used as RST and GATE(count holding) purpose
- 2** AU1 terminals will be used as SP2 output(OP2)
- 3** AU1 terminals will be used as BA1 batch count output(OP3)
- 4** AU1 terminals will be used as SU1 totalizing count output(OP4)

## Technical Specifications

### General Specifications

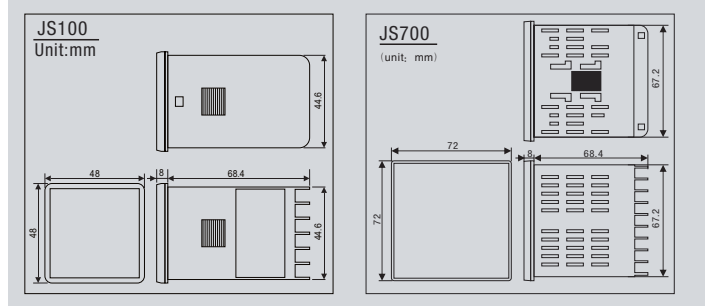
#### Electrical Specifications

Display	Dual line 6 digits LCD display
Counting range	-199999~999999
Setting range	1-999999
Input type	Dry contact, NPN transistor, Quadrature 90°
Input frequency	From 1HZ to maximum 5000 HZ
Counting pattern	Normal pattern, batch, totalizing count
Relay reset delay	0.01S~99.99S
Auxiliary power	12VDC 100mA
Counting mode	Up or down counting
Power source	85~265Vac or 24VDC/AC
Power failure retention	with or without retention configurable
Decimal points	1 decimal to maximum 3 decimals
Communication	Modbus RS-485 RTU
Power consumption	12VA
Output relay rating(OP1)	5A/250Vac
Output relay rating(AU1)	3A/250Vac

#### Mechanical Environmental Specifications

Size	48mm*48mm, 72mm*72mm
Weight	0.17kg/ 0.27kg
Operating temperature humidity	-10°C~+50°C 45%~85% RH

### Size and dimension



### Wiring diagram

